

FIG. 1

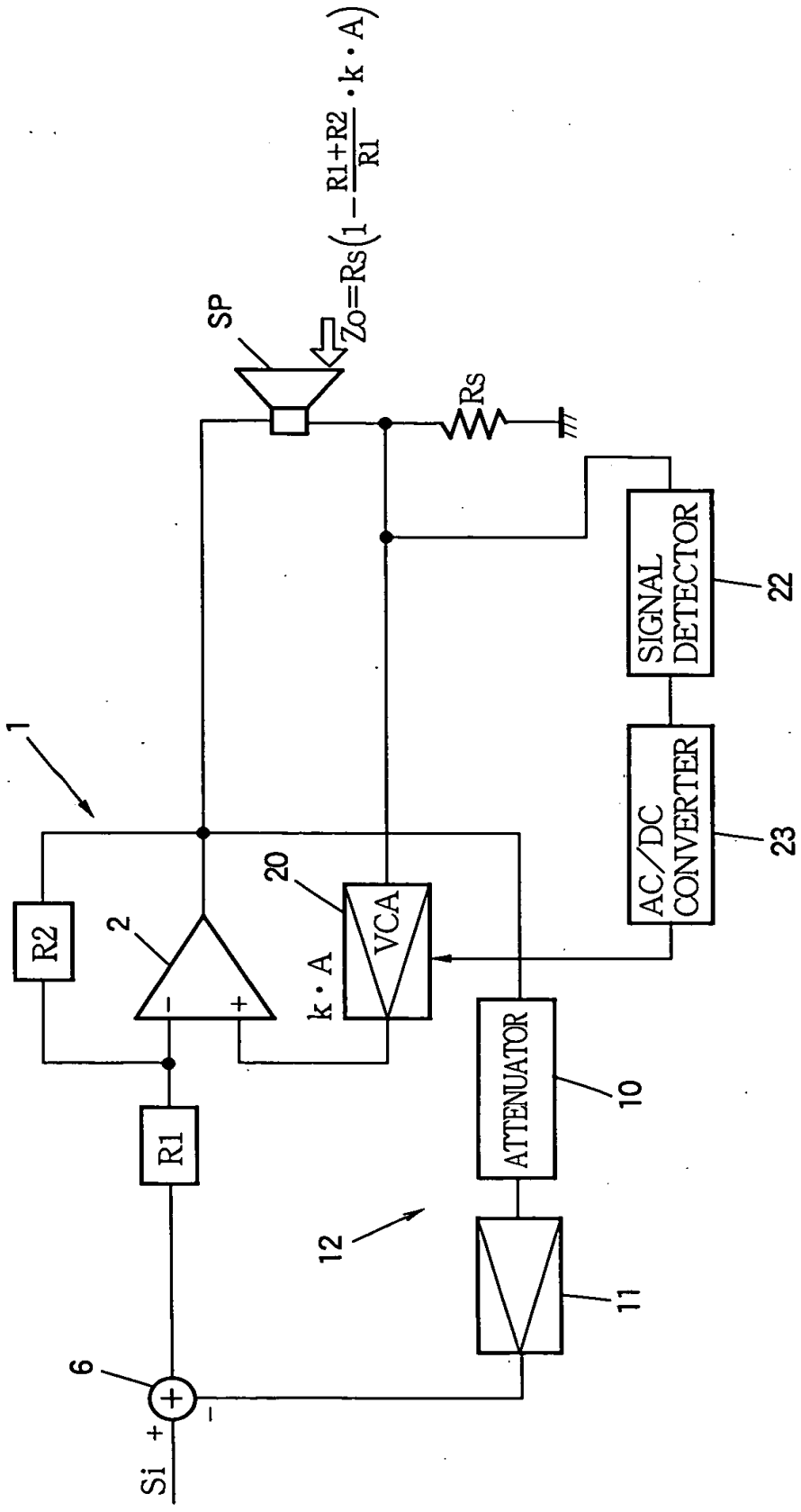
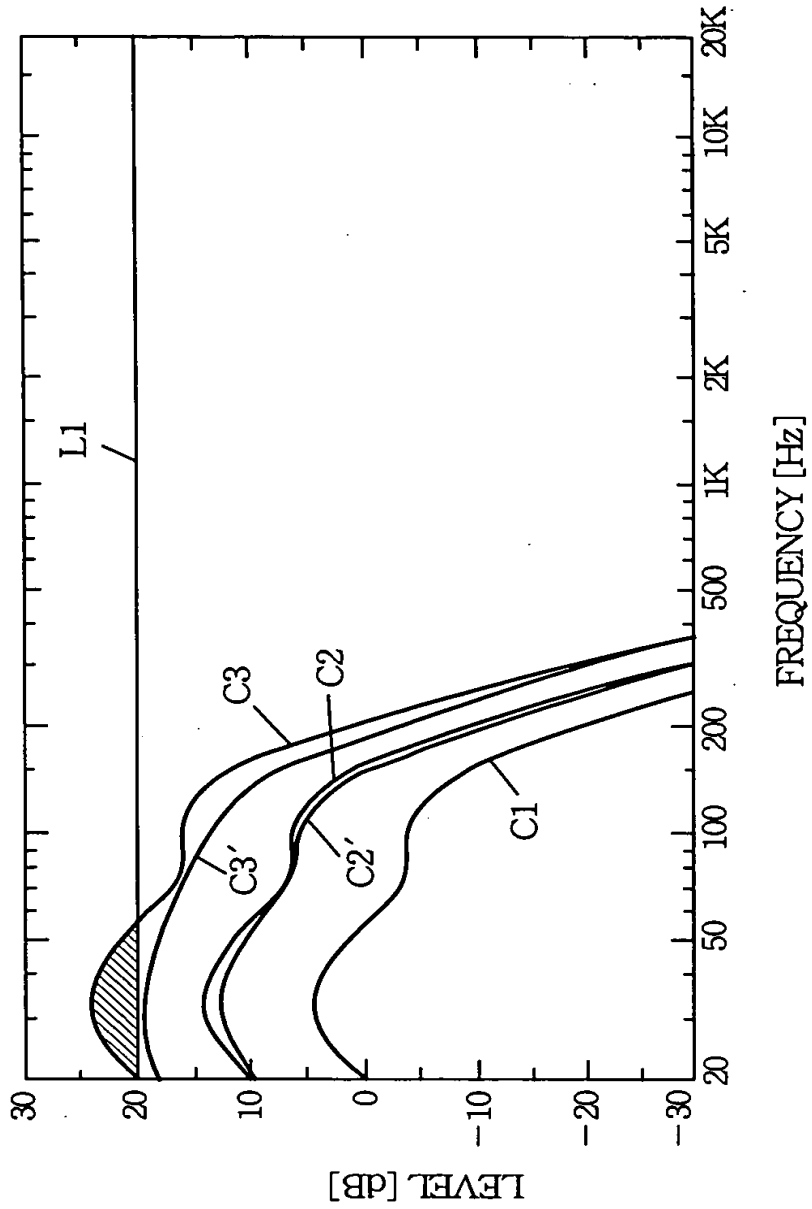


FIG.2



3/4

FIG.3 (a)

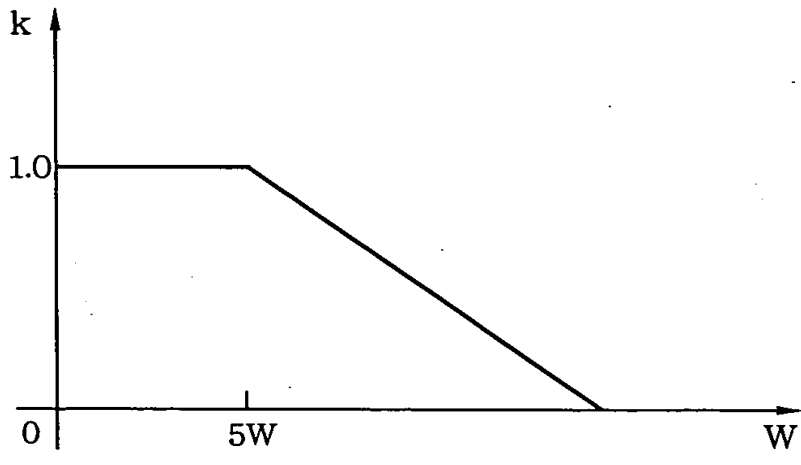
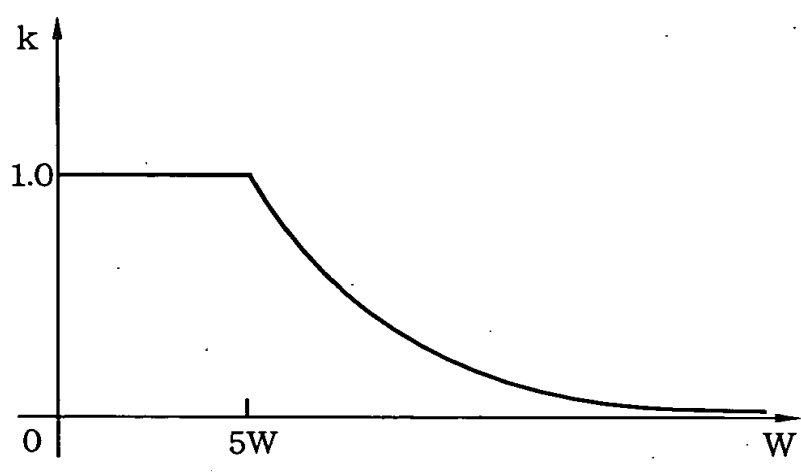


FIG.3 (b)



© 1985 by Science & Technology

Patent = 502,741

FIG.4

PRIOR ART

